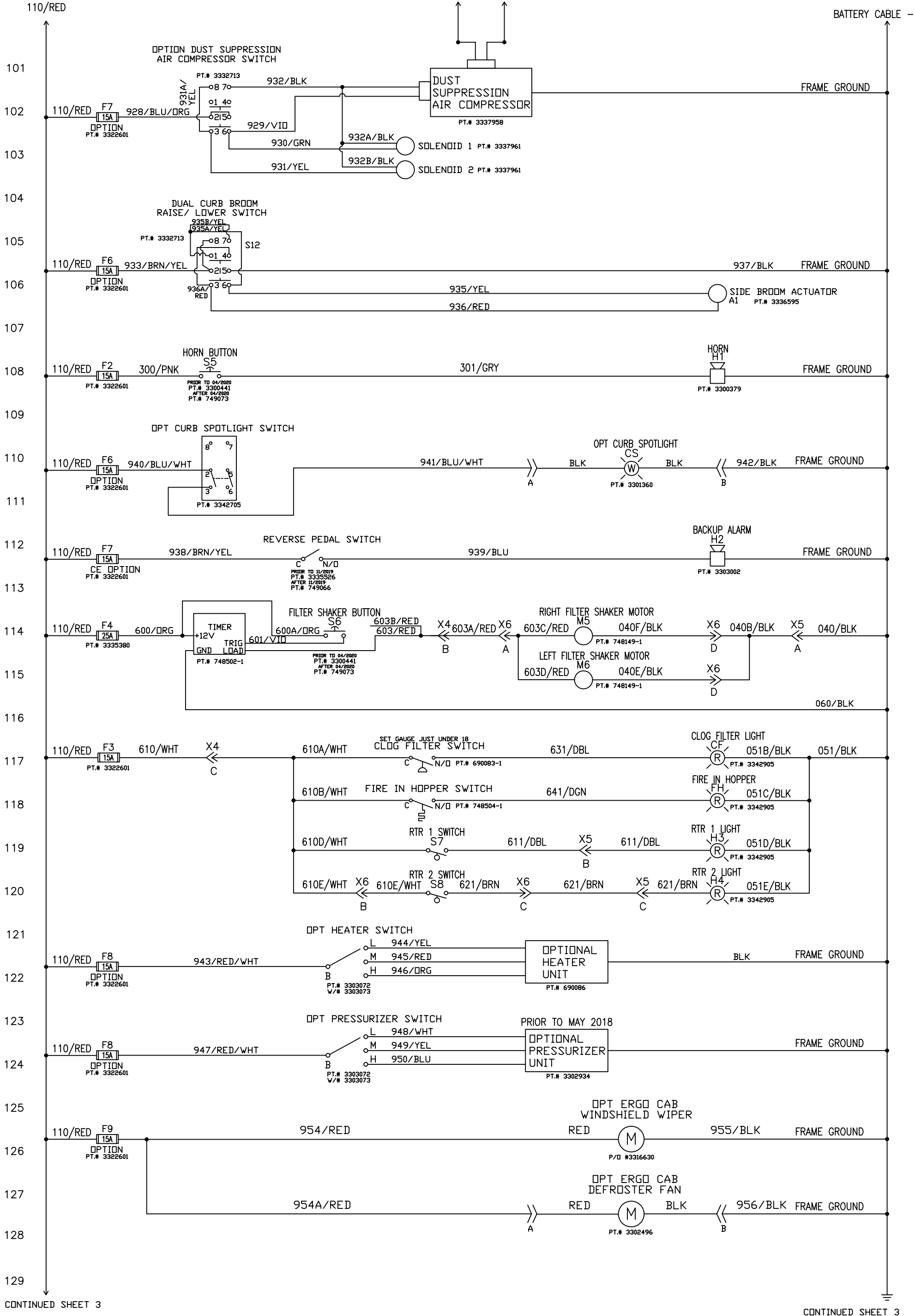


CONTINUED SHEET 1



CONTINUED SHEET 3

CONTINUED SHEET 3

REV	ECN	DATE	DESCRIPTION	BY	ELECTRICAL DESIGN ENGINEER		DATE		TITLE		
F	150297	06/11/18	ADDED GLOW PLUG LT, MERV, LED LIGHTS & SHT 5	KHH	Jeff Pollack		5/3/10		SCHEMATIC-ELECTRICAL AM9D/9X DIESEL CE		
G	150470	11/13/18	UPDATED MERV, PART #'S	KHH	ELECTRICAL DESIGN ENGINEER		DATE		PART NUMBER	REVISION	PAGE NUMBER
H	151016	11/08/19	REMOVE ENGINE CONN 1 PIN B WIRE	KHH	CAD BY		5/3/10		3397501	J	2 OF 5
J	151310	04/20/20	UPDATE MURPHY SWITCH	KHH	JWP						



14N845 U.S. ROUTE 20
PINGREE GROVE,
ILLINOIS 60140

CONFIDENTIAL
THIS DRAWING AND ALL INFORMATION CONTAINED HEREIN ARE THE EXCLUSIVE PROPERTY OF MINUTEMAN INTERNATIONAL, INC. THIS DRAWING IS NOT TO BE COPIED OR OTHERWISE REPRODUCED WITHOUT EXPRESSED WRITTEN PERMISSION OF MINUTEMAN INTERNATIONAL, INC. IN ADDITION, THIS DRAWING MUST BE RETURNED UPON REQUEST. FURTHER, ALL INFORMATION CONTAINED HEREIN MUST BE MAINTAINED CONFIDENTIAL.

TITLE
SCHEMATIC-ELECTRICAL
AM9D/9X DIESEL CE

PART NUMBER
3397501

REVISION
J

PAGE NUMBER
2 OF 5